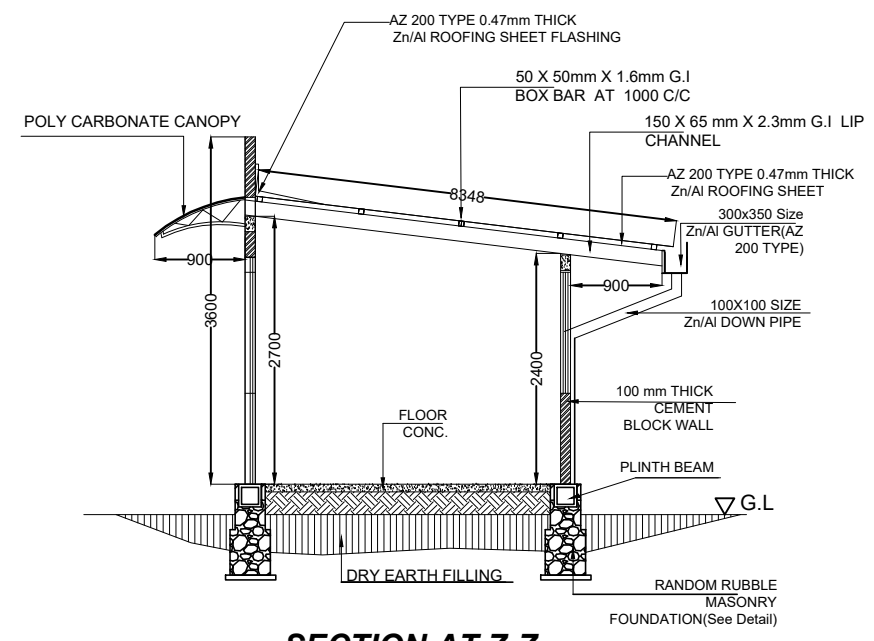
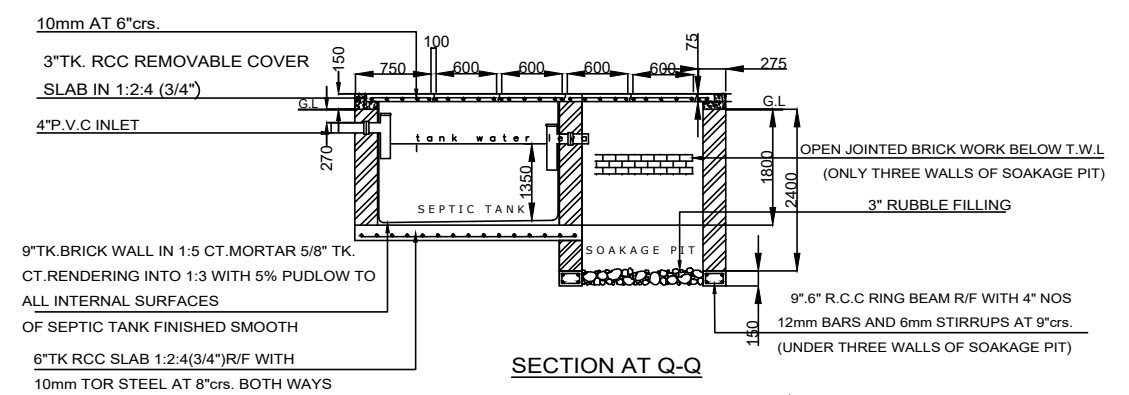


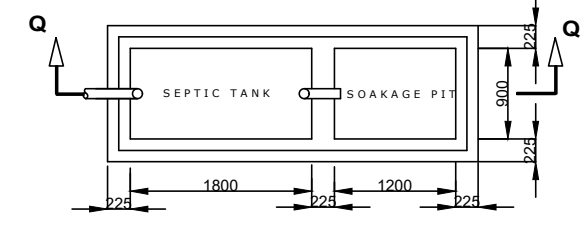
SECTION AT X-X
SCALE: 1:50



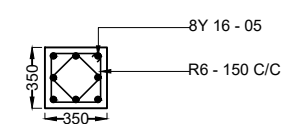
SECTION AT Z-Z
SCALE: 1:50



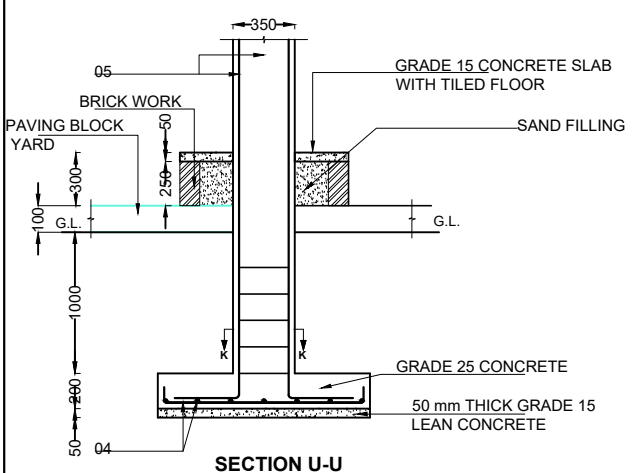
SECTION AT Q-Q



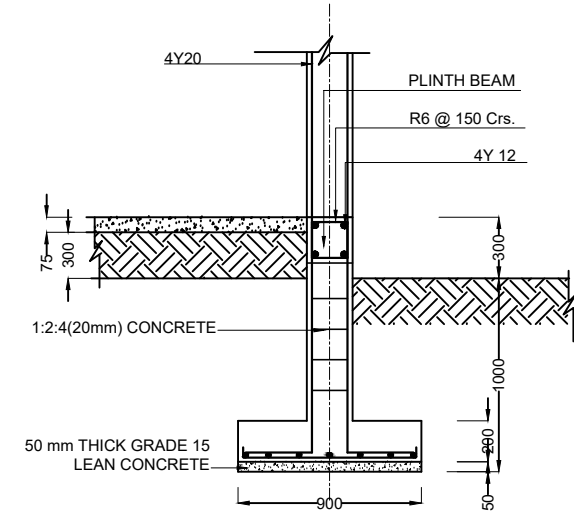
PLAN
DETAIL OF SEPTIC TANK
SCALE: 1:50



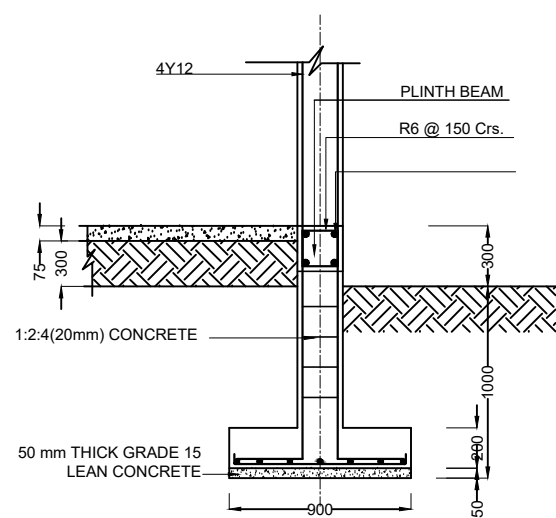
SECTION K-K



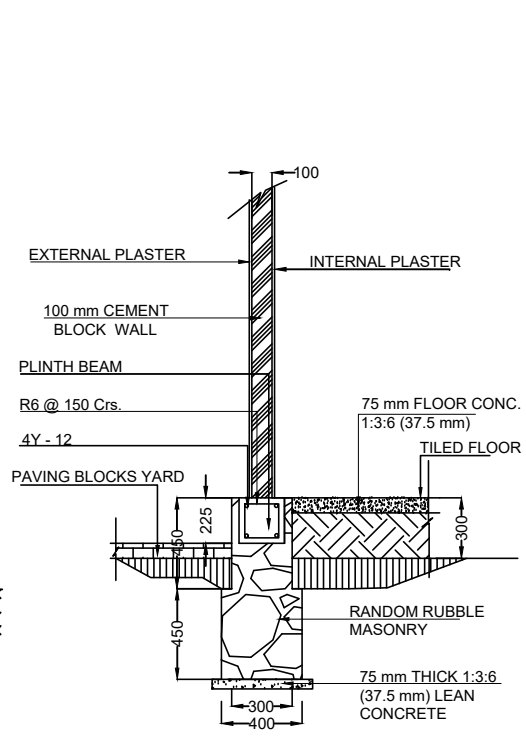
SECTION U-U



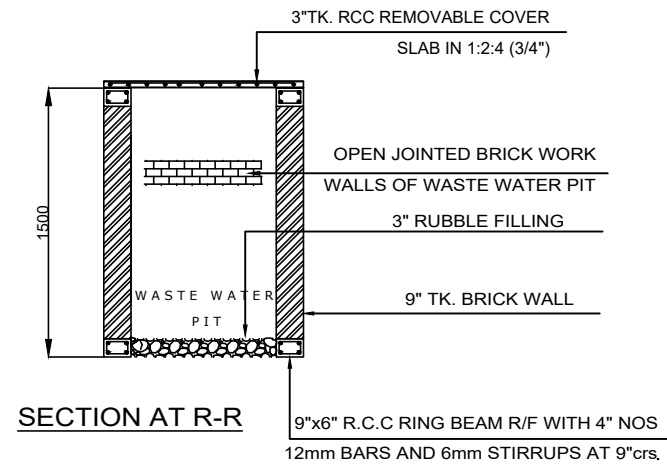
DETAILS AT COLUMN C2
SCALE - 1:25



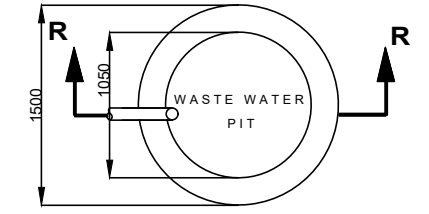
DETAILS AT COLUMN C3
SCALE - 1:25



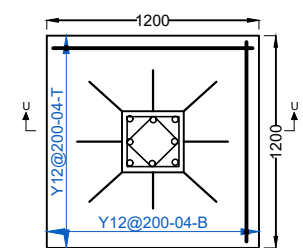
DETAILS OF WALL FOUNDATION
SCALE - 1:25



SECTION AT R-R



PLAN
DETAIL OF WASTE WATER PIT
SCALE: 1:50



PLAN
DETAILS AT COLUMN C1

PROJECT :		MODIFICATION OF L.F.S.BATICALOW-PT ARASON	
TITLE:			
<p>CEYLON PETROLEUM CORPORATION ENGINEERING DEPARTMENT NO. 609, DR. DANISTER DE SILVA MAWATHA, DEMATAGODA, COLOMBO -09, TP. NO. 5661717, 5661818 FAX 5455408</p>	Designed	R.S	
	Drawn	C.P PRABATH	
	Checked	R.S	
	Approved	G.P.K. Wijekoon Manager (E&P)	
	Scale	AS.SHOWN	Date:
Rev.No	Drawing No:		CEYPET/ENG/ 0648
			Sheet: 03 of 03